



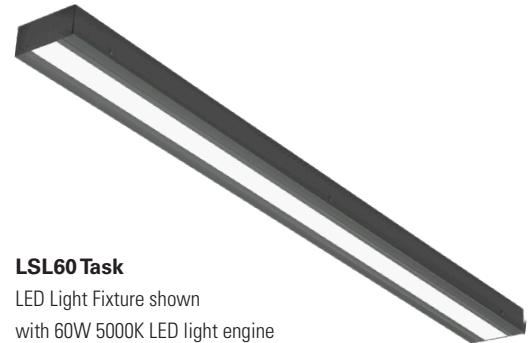
DESCRIPTION

LightSource® Task LED can replace incandescent, T8 and T12 fluorescent task fixtures. With over 100,000 hour life, Task fixtures provide high-quality illumination for years to come with zero maintenance costs. Task fixtures are designed for quick and easy installation. Constructed of commercially pure aluminum with a durable, composite polyester finish. Black is standard.

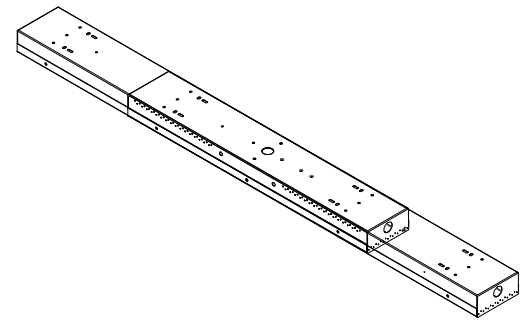
SPECIFICATIONS

Lumens:	6,507
Wattage:	60
Weight:	3.06 lbs.
Dimensions:	L 48.102" x W 4.375" x H 2.012"
Listed/Rated: DLC QPL, UL	DLC Product ID: PEJQSER8
Color Temp: 5000K	
CRI: >82	
Line Voltage: Universal 120-277V	
Power Supply: Hardwire standard	
Battery Backup: Optional	
Surge Protection: Integrated 2.5kV transient voltage protection	
Ambient Operating Temperature: -30° to 40° C / -22° to 104° F (@ 60W)	
Environment: Damp rated	
Lens: Non-glare optical grade Acrylic, resists common airborne water-based solvents. Other options available.	
Mount: 10 ft. Adjustable V-hook hangers included. Other options available.	
Warranty: 5-year Standard Limited	
Manufacturer: Genesis Energy Technology (A wholly-owned subsidiary of Energy Bank Inc.)	

Specifications subject to change without notice. Longer lead times may apply when ordering options over standard.



LSL60 Task
LED Light Fixture shown with 60W 5000K LED light engine and optional 85% transmissive white lens.



*Not all products are qualified on the DLC QPL. To view our DLC qualified products, please consult the DLC Qualified Products List at www.designlights.org/search.

ORDERING MATRIX

EXAMPLE: **LSL060-1UNF2-40BL-NSHW-MSXV10** Lead times and costs may vary depending on options selected. Consult your sales representative for more information. Standard configuration highlighted in Gray.

LSL	060	1	UN							
Model	Wattage (Nominal)	Length	Voltage	Lens	Color Temp	Fixture Color	Surge	Power Supply	Control	Mounting
LSL: Linear	060: 60W	1: 4 ft.	UN: 120-277V	F1: Frosted Lens F2: White Lens CL: Clear Lens	50: 5000K 40: 4000K	BL: Black WH: White	NS: No add'l surge WS: With add'l surge protection	HW: Hardwire C1: Cord with 5-15p Plug attached CC: Custom Cord W1: 11 ft whip attached	MSX: No motion sensor WMS: Wired for 0-10V ERD: EnOcean Control with AC Relay EDD: EnOcean Control low voltage PC1: Pull Chain to ### watts PCO: Pull Chain on/off PTR: Potentiometer ¹	V: V-Hook, no cable V10: V-Hook with 10' adj. cable NHH: Hanging Hardware sold separately V06: V-Hook with 6' adj. cable

¹Can adjust wattage from 6W to 60W when using optional potentiometer.