



Date:	
Type:	
Firm:	
Project:	

PRODUCT DESCRIPTION

ThinLine Architectural redefines the troffer. Designed for quick, easy installation featuring a sleek, contemporary, ultra-compact design. You can replace a typical fluorescent troffer using up to 172W with a single ThinLine Architectural that uses only 25W. Field adjustable from 6 - 60W with optional potentiometer. With over 100,000 hour life, ThinLine Architectural fixtures provide high-quality illumination for years to come with zero maintenance costs. Constructed of 98% pure 3105 aluminum with a durable, composite polyester exterior finish. White is standard. No on-site assembly required.

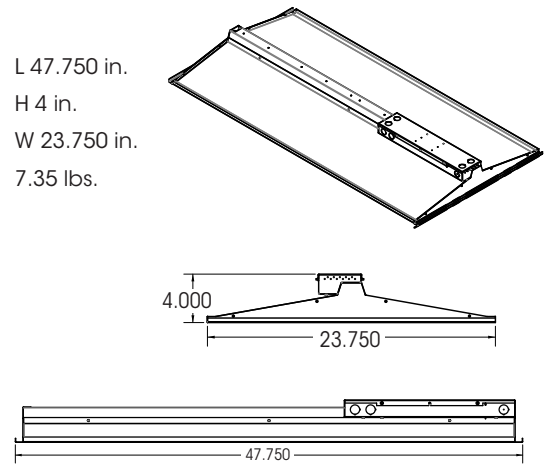
PERFORMANCE SUMMARY

- Light Engine:** Osram driver and LED boards
- Color Temp:** 4000K
- CRI:** >82 + R9
- Lumens (nominal):** 2,900 (25W) to 6,500 (60W)
- Input Voltage:** 120-277V
- Optics:** white lens
- Certification:** UL Listed, DLC QPL
- Warranty:** 5-year standard limited
- Application:** 2x4 T-bar ceiling grid
- Power Consumption:** 25W standard. Field adjustable from 6 - 60W with optional potentiometer.
- Manufacturer:** Genesis Energy Technology



ThinLine Architectural

Elegant, contemporary form factor that will meet or exceed aesthetic and performance requirements.



ORDERING INFORMATION

Determine part number* for placing order.

EXAMPLE: TLA25-UNF2-40MW-HWMSX

Lead times will vary depending on options selected. Consult your sales representative.

STANDARD IN YELLOW	TLA	UN	F2			HW		
	Model	Wattage (nominal)	Voltage	Optics	Color Temp	Fixture Color	Power Supply	Motion Sensor
	TLA: ThinLine Architectural	25: 25W 45: 45W 60: 60W	UN: 120-277V	F2: white lens	40: 4000K 50: 5000K	MW: matte white WH: optical white	HW: hardwire	MSX: no sensor P: potentiometer

*For additional custom options, call your sales representative for details. Additional charges may apply to non-standard options.

ThinLine® Architectural LED Troffer Series
STANDARD SPECIFICATIONS:

One GTT-TL included, attached to fixture.

Tether (GTT-TL)



Hurricane clip (GHC-TL)



Additional GTT-TL and GHC-TL may be purchased separately.

		25	45				60		
performance	spec	details							
	color temperature	4000K standard, 5000K optional							
	CRI	>82 + R9							
	lifetime	100,000 hours							
electrical	lumens (nominal)	2900			4400				5500
	power consumption	25W			45W				60W
	input voltage	120-277V							
light engine	power supply	Hardwire							
	optics	White lens							
	driver	Osram							
physical	LED board	Osram							
	dimensions (L"xH"xW")	L 47.750 in. H 4 in. W 23.750 in.							
	weight	7.35 lbs.							
	housing	98% pure 3105 aluminum with durable, composite polyester exterior finish							
application	color	White							
	certification	UL listed, DLC QPL listed							
	motion	Optional potentiometer 6-60W dimming control, located on back of fixture							
	warranty	5-year standard limited							
DLC*	operating temp at 35W	-30° to 40° C -22° to 104° F							
	DLC Agency Reference #	TLA25-UNF2-40WH-Pxx TLA25-UNF2-50WH-Pxx			TLA45-UNF2-50WH-Pxx				TLA60-UNF2-50WH-Pxx
Manufacturer:		Genesis Energy Technology							



*Not all products are qualified on the DLC QPL. To view our DLC qualified products, please consult the DLC Qualified Products List at www.designlights.org/search.



AMERICAN MADE INNOVATION