

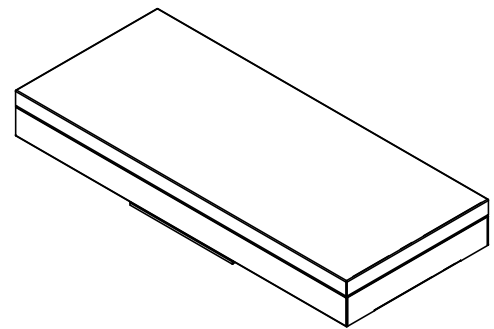


DESCRIPTION

Reduce wattage up to 80%. A single model T MMT300 using 300W can replace two traditional 1000W metal halide fixtures that use more than 2180W. MMT light engines are designed to deliver exceptional, high-lumen output with precise, proprietary optics for your specific application. MMT is a low-profile fixture that features a sleek, contemporary compact form factor with minimal EPA wind load factor. Constructed of aluminum with a durable, automotive quality exterior finish. Bronze, Black, Gray and White are standard. Custom powder coat colors and finishes are available. Logo options available to further enhance your branding. Patent-pending Pinnacle™ mounting system for fast, easy secure mounting on poles also incorporates unique sacrificial anode to protect pole from rust. Patent-pending Forced Vector Cooling® provides thermal protection for components for significantly longer life with superior lumen maintenance and light output.



MMT



SPECIFICATIONS

Lumens:	15,842	23,839	33,558
Wattage:	150	200	300
Weight:	47 lbs.		
Dimensions:	L 42.100" x W 18.125" x H 5.390" (Flat Plate) or H 8.513" (V-Base)		
EPA:	1.81 ft² Flat Base, 2.05 ft² V-Base		
Listed/Rated:	DLC QPL, ETL		
DLC Model #	MMT150-UNFD-HMXX MMT150-48FD-HMXX	MMT200-UNCD-HMXX MMT200-48CD-HMXX MMT200-UNFD-HMXX MMT200-48FD-HMXX	MMT300-UNCD-HMXX MMT300-48CD-HMXX MMT300-UNFD-HMXX MMT300-48FD-HMXX
Color Temp: 5000K			
CRI: >83			
Line Voltage: Universal 120-277V. 480V option.			
Power Supply: Hardwire standard			
Surge Protection: Internal integrated 6kV transient voltage protection. External 10kA (L1-L2) or 20kA (L1-G & L2-G) surge protection.			
Ambient Operating Temperature: -30° to 50° C / -22° to 122° F			
Environment: Wet rated			
Lens: Glass, anti-reflective glass, Type III (FD) forward-throw or Type V (CD) bi-directional. (150W available in FD only)			
Mount: Pinnacle™ universal mounting system. V-Base, Flat Plate, Tenon, Bull Horn, Wall Mount options.			
Warranty: 10-year Standard Limited			
Manufacturer: Genesis Energy Technology			



Designed & Built in USA



model T[®] MMT

ORDERING INFORMATION

EXAMPLE: **MMT300-UNFD-HMBZ-NNN-NF** Lead times and costs may vary depending on options selected. Consult your sales representative for more information. Standard configuration highlighted in Gray.

MMT				HM					
Model	Wattage	Voltage	Optics	Reflector	Fixture Color	Motion Sensor	Customization	Mounting	
MMT: model T	300: 300W	UN: 120-277V	FD: Forward Throw	HM: Hammertone	BL: Black	NNN: No Sensor	N: None	F: Pinnacle Flat Plate	
	200: 200W	48: 480V*	CD: Bi-Directional		WH: White	MNN: Wattstopper <small>FSP-211 (120-277V)</small>	L: Logo	A: Tenon Flat Plate	
	150: 150W ¹				BZ: Bronze	<small>*Motion sensor not available with 480V</small>	A: Anti-reflective glass	P: Pinnacle V-Base ²	
					GR: Gray			T: Tenon V-Base ²	

Specifications subject to change without notice.

¹ Type III Forward Throw optics only

² For use with non-MNN sensors, security systems, cameras or other optional accessories.

Standard colors

Durable, automotive quality finish in:



Black



White



Bronze

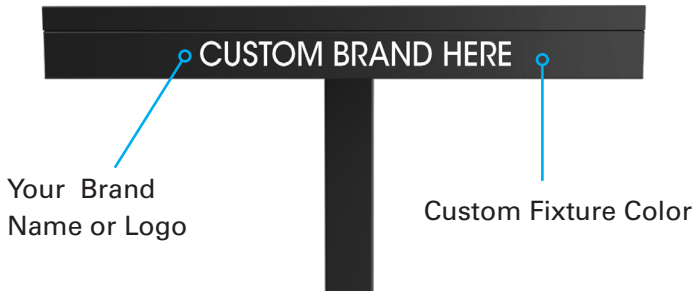


Gray

Custom logo and custom model T colors

Place your company logo on the model T to further enhance your brand. Submit logo in .AI or .EPS format for best results.

Custom colors are available for the model T. Contact your sales representative for more details.



Mounting Options

Flat Plate Pinnacle Mounting: fits on any square, round or tapered 4" - 6" pole. Standard.

Flat Plate with Tenon: fits existing 2.375" tenon.

V-base Pinnacle Mounting: option accommodates addition of accessories and controls including Doppler or microwave on any square, round or tapered 4" - 6" pole.

V-base with Tenon: option accommodates addition of accessories and controls including Doppler or microwave on existing 2.375" tenon.

Bullhorn (BH01-xx): fits two (2) standard model T fixtures on any square, round or tapered 4" - 6" pole.

Tenon Bullhorn (BH02-xx): fits two (2) standard model T fixtures on any square or round pole with existing 2.375" tenon.

Tenon Wall Mount Bracket (WM01-xx): fits one (1) standard model T fixture with 2.375" tenon mount onto building wall of adequate structural strength.

Pinnacle™ Mounting System

Fast, easy, secure and unobtrusive mounting of the fixture on almost any pole without adapters. Also incorporates unique sacrificial anode to help protect pole from rust.



energybank.

www.energybankinc.com

© 2018 EB SPEC model T MMT300 20180418