

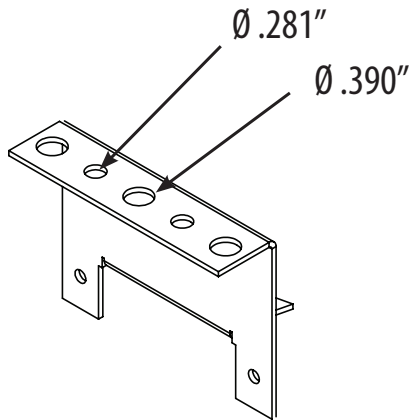


Date:	
Type:	
Firm:	
Project:	

I-FRAME FLUSH MOUNT BRACKET

Use flush mount bracket to attach energybank LightSource I-Frame fixture to the ceiling with little to no gap between the light fixture and the ceiling.

LSFLUSH-01-KIT



DETAIL

I-Frame compatible only

NOT COMPATIBLE WITH

external sensor box, external transformer box, battery back up

Compatible models:

- 1 array I-Frame
- 2 array I-Frame
- 3 array I-Frame
- 4 array I-Frame
- 5 array I-Frame

Part Number: LSFLUSH-01-KIT

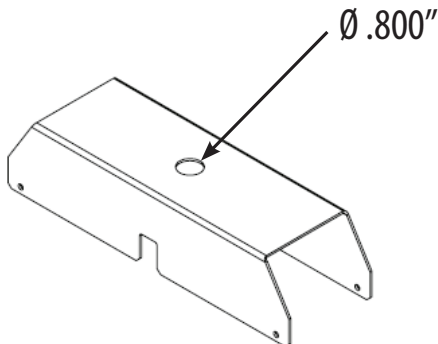
Quantity: Two (2) brackets per fixture

Includes: (4) 8/32 X 3/8 HEX HEAD SCREW PER FIXTURE

I-FRAME PENDANT MOUNT BRACKET

Use pendant mount bracket to suspend an energybank LightSource I-Frame fixture from a single point on the ceiling. Typical application is with conduit.

LSPEND-01-KIT



DETAIL

I-Frame compatible only

NOT COMPATIBLE WITH battery back up

Compatible models:

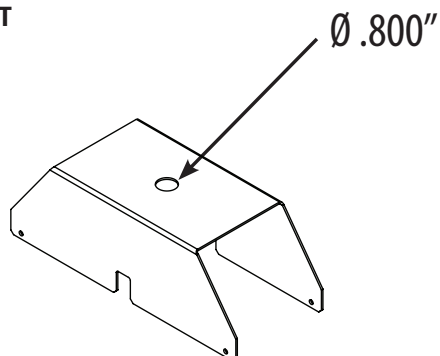
- 1 array I-Frame
- 2 array I-Frame
- 3 array I-Frame

Part Number: LSPEND-01-KIT

Quantity: One (1) bracket per fixture

Includes: (4) 8/32 X 3/8 HEX HEAD SCREW PER FIXTURE

LSPEND-02-KIT



I-Frame compatible only

NOT COMPATIBLE WITH battery back up

Compatible models:

- 4 array I-Frame
- 5 array I-Frame

Part Number: LSPEND-02-KIT

Quantity: One (1) bracket per fixture

Includes: (4) 8/32 X 3/8 HEX HEAD SCREW PER FIXTURE