



DESCRIPTION

LightSource® LED LSL Linear High Bay Fixtures with a 100,000 hour life are designed to replace existing High-intensity Discharge, T8 or T5 fluorescent aisle lights. Nothing can match the light distribution performance of this fixture in an aisle. LSL Linear High Bay fixtures incorporate numerous patent-pending features that will deliver more usable footcandles with less energy input. This fixture is designed to be forward compatible for future LS Linear Fixture accessories. Constructed from commercially pure aluminum with a durable, composite polyester exterior finish. Black is standard for optimal thermal transfer.

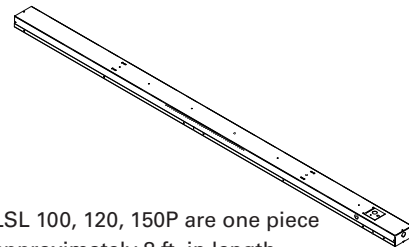
SPECIFICATIONS

	100	120	150P	150	180
Lumens:	12,000	13,590	15,950	18,000	21,600
Wattage:	100	120	150	150	180
Weight:	9.1 lbs			14.45 lbs	
Dimensions:	L 95.33" x W 4.38" x H 2.41"			L 144.23" x W 4.42" x H 3.18"	
Listed/Rated:	UL	UL, DLC	UL		
*DLC Model #		LSL120-1UNCL-50xx			

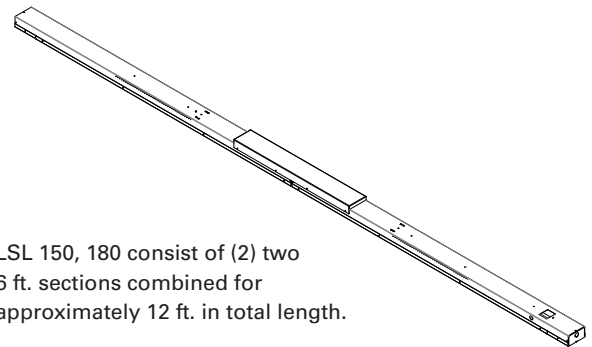
Color Temp: 5000K
CRI: >82
Line Voltage: Universal 120-277V. 480V option.
Power Supply: Hardwire standard
Surge Protection: Integrated 2.5kV transient voltage protection
Ambient Operating Temperature: -30° to 40° C / -22° to 104° F (@ 180W)
Environment: Damp rated
Lens: Clear, optical grade Acrylic, resists common airborne water-based solvents. Other options available.
Mount: 10 ft. Adjustable V-hook hangers included. Other options available.
Warranty: 10-year Standard Limited
Manufacturer: Genesis Energy Technology



LightSource®
Linear LSL120
High Bay Fixture shown above
in Black, hardwire with 120W, 120-277V,
5000K LED light engine, clear lens. Hanging cables are
included, but not shown.



LSL 100, 120, 150P are one piece
approximately 8 ft. in length.



LSL 150, 180 consist of (2) two
6 ft. sections combined for
approximately 12 ft. in total length.



Designed & Built in USA



**Not all products are qualified on the DLC QPL. To view our DLC qualified products, please consult the DLC Qualified Products List at www.designlights.org/search.*

LightSource® Linear High Bay

ORDERING INFORMATION

EXAMPLE: **LSL120-1UNCL-50BL-NSHW-MSXV10** Lead times and costs may vary depending on options selected. Consult your sales representative for more information. Standard configuration highlighted in Gray.

Model	Wattage Code <small>(old code)</small>	Length	Voltage	Optics	Color Temp	Fixture Color	Surge	Power Supply	Motion Sensor	Mounting
LSL: LightSource	100: 100W (12L)	1: 8 ft.	UN: 120-277V	CL: Clear lens	50: 5000K	BL: Black	NS: 2.5kV int.	HW: Hardwire	MSX: No Sensor	V10: V-Hook with 10' adj. cables
	120: 120W (12LT)		48: 480V ²	F1: Frosted lens	40: 4000K	WH: White	WS: 10kA ext.	S4: Side 4-pin Winsta	MS1: 5 min/5hr	CM: Ceiling Mount
	130: 130W		2: 12 ft. ¹						S5: Side 5-pin Winsta	
	150P: 150W (16LT)	MS3: 30 min/5 hr							NHH: None	
	150: 150W (1BL)	MS4: 5 min/1 hr								
	180: 180W (1BLT)	MS5: 15 min/1 hr								
								SM: Side Mate-N-Lok	MSC: Custom	

Specifications subject to change without notice.

¹ Consists of (2) two 6 ft. sections

² External transformer

Accessories

Power Supplies

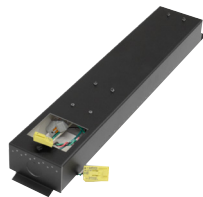
Integrated quick connect to easily accommodate:

- Straight Blade
- Metal Clad
- Twist lock
- Winsta (WAGO)
- Mate-N-Lok
- ReLoc



480V

The external transformer attaches directly onto the LSL Linear fixture for 480V circuits. The quick connect easily accommodates the wiring.



Lens

Optical options:

- Frosted
- Clear
- Polycarbonate



energybank.

www.energybankinc.com

© 2018 SPEC LightSource Linear High Bay EB_20180221